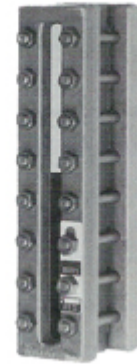


Series Q20 Liquid Level Gauges

Standard construction includes a solid one-piece chamber machined from bar, forged steel covers, tempered glass, alloy steel bolts and nuts. Recessed gasket seats prevent gasket movement. Series Q20 gauges are available in a variety of materials to meet specific corrosive conditions. All standard chamber materials (carbon and stainless steels) are NACE MR-01-75 acceptable materials. Non-frost extensions, illuminators, support brackets, Kel-F shields, mica shields and special alloys are available.

SERIES Q 20
 Pressures up to 3000psi@ 100°F
 CRN ØC4222.5213/ØF4223.5213



Q19-T-20

Temperature range to 600°F
 Recessed Gasket seats in both chamber and cover.
 Visible length from 3 3/4 " up

Quality Liquid level Gauges
 Comply with all requirements of ASME B16.34

- A rugged flat glass gauge for medium pressure applications

PRESSURE / TEMPERATURE RATINGS

(Flanged gauges take flanged rating when lower)

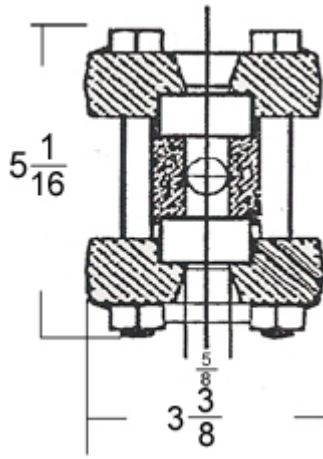
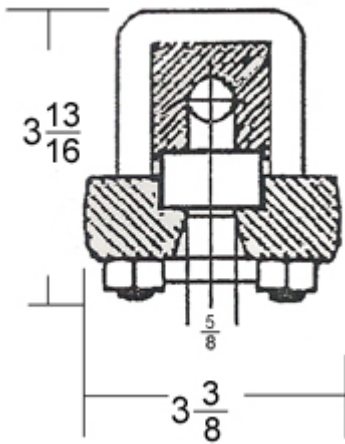
TRANSPARENT GLASS SIZE									
Deg°F	1	2	3	4	5	6	7	8	9
100	2000	1875	1750	1625	1500	1375	1250	1125	1000
200	1825	1710	1595	1480	1370	1255	1140	1025	910
300	1775	1665	1555	1445	1335	1220	1110	995	885
400	1715	1610	1500	1395	1285	1180	1070	960	855
500	1620	1520	1415	1315	1215	1115	1010	910	810
600	1480	1385	1295	1200	1110	1015	925	830	735
SATURATED STEAM USING MICA									
600	600	600	600	550	500	450	400	350	

REFLEX GAUGE GLASS SIZE									
Deg°F	1	2	3	4	5	6	7	8	9
100	3000	2875	2750	2625	2500	2375	2250	2125	2000
200	2735	2620	2505	2395	2280	2165	2050	1940	1825
300	2660	2550	2440	2325	2215	2105	1995	1885	1775
400	2565	2460	2355	2245	2140	2035	1925	1820	1715
500	2425	2325	2225	2120	2020	1920	1820	1720	1620
600	2215	2125	2030	1940	1845	1755	1660	1570	1480
SATURATED STEAM RATING 300WSP									



Q19-R-20

% of Rating	100%	90%	50%	TEST PRESSURE: All gauges are Hydrostatically tested by Quality Prior to shipment @ 1-1/2 times. The design pressure rating at 100°F
CHAMBER MATERIAL	CARBON STEEL, STAINLESS STEELSERIES 300 OR 300L	MONEL	BRASS	
GASKETING	BONDED COMPRESSED FIBERS OR TEFLON GLASS FILLED		PURE TEFLON KEL-F (SHIELDS)	



Series Q20 Gauge Specifications

Lengths

Series Q20 gauges are available in nine standard visible glass lengths. Multiples of the same size windows (up to nine sections) in a single piece bar stock liquid chamber are used for longer lengths.

Connections

Standard Series Q20 Gauges are furnished with 1/2 or 3/4 inch NPT female end connections. Other connections available: 1/2 or 3/4 inch NPT female or male, side or back, flanged ends, side or back to suit mating connections.

Liquid Chambers

Machined from bar stock with recessed gasket seats.

Covers

All covers are manufactured to be interchangeable.

Bolt & Nuts

Alloy steel to ASTM Standards.

Glass

The tempered glass must be protected from corrosive substances such as caustic acid and hydrofluoric acid. Only transparent glass with mica or Kel-f shields must be used in these applications.

Gaskets

Precision die cut from the highest quality materials.

Protection

All carbon steel parts are coated both externally and internally with a high quality rust inhibitor. This coating serves as a superior bonding base for paint. It is recommended that all Q20 Gauges be installed with Quality Gauge Valves, having safety ball checks, which help provide protection against physical injury and loss of product should glass breakage occur.

Single Selection Reflex Gauges					
Model No.	Visible Glass Inch	Overall Length Inch	Minimum Centres Side Connections 1/2 inch 3/4 inch		Approx Weight Lb.
Q11-R-20	3 3/4	5 1/4	5 1/4	5 5/8	8
Q12-R-20	4 3/4	6 1/4	6 1/4	6 5/8	9
Q13-R-20	5 3/4	7 1/4	7 1/4	7 5/8	11
Q14-R-20	6 3/4	8 1/4	8 1/4	8 5/8	12
Q15-R-20	7 7/8	9 3/8	9 3/8	9 3/4	14
Q16-R-20	9 1/8	10 5/8	10 5/8	11	16
Q17-R-20	10 1/4	11 3/4	11 3/4	12 1/8	18
Q18-R-20	11 7/8	13 3/8	13 3/8	13 3/4	20
Q19-R-20	12 5/8	14 1/8	14 1/8	14 1/2	21

Single Selection Transparent Gauges					
Model No.	Visible Glass Inch	Overall Length Inch	Minimum Centres Side Connections 1/2 inch 3/4 inch		Approx Weight Lb.
Q11-T-20	3 3/4	5 1/4	5 1/4	5 5/8	12
Q12-T-20	4 3/4	6 1/4	6 1/4	6 5/8	14
Q13-T-20	5 3/4	7 1/4	7 1/4	7 5/8	17
Q14-T-20	6 3/4	8 1/4	8 1/4	8 5/8	19
Q15-T-20	7 7/8	9 3/8	9 3/8	9 3/4	21
Q16-T-20	9 1/8	10 5/8	10 5/8	11	24
Q17-T-20	10 1/4	11 3/4	11 3/4	12 1/8	27
Q18-T-20	11 7/8	13 3/8	13 3/8	13 3/4	30
Q19-T-20	12 5/8	14 1/8	14 1/8	14 1/2	32

Two Section Reflex Gauges					
Model No.	Visible Glass Inch	Overall Length Inch	Minimum Centres Side Connections 1/2 inch 3/4 inch		Approx Weight Lb.
Q23-R-20	13	14 1/2	14 1/2	14 7/8	22
Q24-R-20	15	16 1/2	16 1/2	16 7/8	25
Q25-R-20	17 1/4	18 3/4	18 3/4	19 1/8	28
Q26-R-20	19 3/4	21 1/4	21 1/4	21 5/8	32
Q27-R-20	22	23 1/2	23 1/2	23 7/8	35
Q28-R-20	25 1/4	26 3/4	26 3/4	27 1/8	40
Q29-R-20	26 3/4	28 1/4	28 1/4	28 5/8	43

Two Section Transparent Gauges					
Model No.	Visible Glass Inch	Overall Length Inch	Minimum Centres Side Connections 1/2 inch 3/4 inch		Approx Weight Lb.
Q23-T-20	13	14 1/2	14 1/2	14 7/8	33
Q24-T-20	15	16 1/2	16 1/2	16 7/8	38
Q25-T-20	17 1/4	18 3/4	18 3/4	19 1/8	43
Q26-T-20	19 3/4	21 1/4	21 1/4	21 5/8	49
Q27-T-20	22	23 1/2	23 1/2	23 7/8	54
Q28-T-20	25 1/4	26 3/4	26 3/4	27 1/8	61
Q29-T-20	26 3/4	28 1/4	28 1/4	28 5/8	64

Three Section Reflex Gauges					
Model No.	Visible Glass Inch	Overall Length Inch	Minimum Centres Side Connections 1/2 inch 3/4 inch		Approx Weight Lb.
Q36-R-20	30 3/8	31 7/8	31 7/8	32 1/4	48
Q37-R-20	33 3/4	35 1/4	35 1/4	35 5/8	53
Q38-R-20	38 5/8	40 1/8	40 1/8	40 1/2	60
Q39-R-20	40 7/8	42 3/8	42 3/8	42 3/4	64

Three Section Transparent Gauges					
Model No.	Visible Glass Inch	Overall Length Inch	Minimum Centres Side Connections 1/2 inch 3/4 inch		Approx Weight Lb.
Q36-T-20	30 3/8	31 7/8	31 7/8	32 1/4	73
Q37-T-20	33 3/4	35 1/4	35 1/4	35 5/8	80
Q38-T-20	38 5/8	40 1/8	40 1/8	40 1/2	92
Q39-T-20	40 7/8	42 3/8	42 3/8	42 3/4	97

Four Section Reflex Gauges					
Model No.	Visible Glass Inch	Overall Length Inch	Minimum Centres Side Connections 1/2 inch 3/4 inch		Approx Weight Lb.
Q47-R-20	45 1/2	47	47	47 3/8	71
Q48-R-20	52	53 1/2	53 1/2	53 7/8	80
Q49-R-20	55	56 1/2	56 1/2	56 7/8	85

Four Section Transparent Gauges					
Model No.	Visible Glass Inch	Overall Length Inch	Minimum Centres Side Connections 1/2 inch 3/4 inch		Approx Weight Lb.
Q47-T-20	45 1/2	47	47	47 3/8	107
Q48-T-20	52	53 1/2	53 1/2	53 7/8	122
Q49-T-20	55	56 1/2	56 1/2	56 7/8	129

Five Section Reflex Gauges					
Model No.	Visible Glass Inch	Overall Length Inch	Minimum Centres Side Connections 1/2 inch 3/4 inch		Approx Weight Lb.
Q57-R-20	57 1/2	58 3/4	58 3/4	59 1/8	88
Q58-R-20	65 3/8	66 7/8	66 7/8	67 1/4	100
Q59-R-20	69 1/8	70 5/8	70 5/8	71	106

Five Section Transparent Gauges					
Model No.	Visible Glass Inch	Overall Length Inch	Minimum Centres Side Connections 1/2 inch 3/4 inch		Approx Weight Lb.
Q57-T-20	57 1/2	58 3/4	58 3/4	59 1/8	134
Q58-T-20	65 3/8	66 7/8	66 7/8	67 1/4	152
Q59-T-20	69 1/8	70 5/8	70 5/8	71	161