

Sight Flow Indicator

Sight flow Indicator is the simplest instrument for viewing flow of different type of fluids in the process line.

Quality Machining & Metalworks offers sight flow indicators of following types:

- Double Window Plain
- Double Window Rotary Wheel
- Double Window Flapper
- Double Window Drip Tube
- Double Window Ball
- Full View

Double Window Plain

This type of sight flow indicator is recommended where flow is turbulent. This flow indicator is used to monitor vertical or horizontal flow.

Double Window Rotary Wheel

This type of sight flow indicator is best suited for the lines carrying dark solutions where rotary movement can be easily detected.



Double Window - Flapper

This type of sight flow indicator is recommended for vertical upward as well as horizontal flow. This flow indicator is suitable for colourless and transparent fluids.

Double Window - Drip Tube

This type of sight flow indicator is particularly recommended for vertically downwards flow lines having intermittent flow e.g. flow lines in distillation columns.

Double Window - Ball

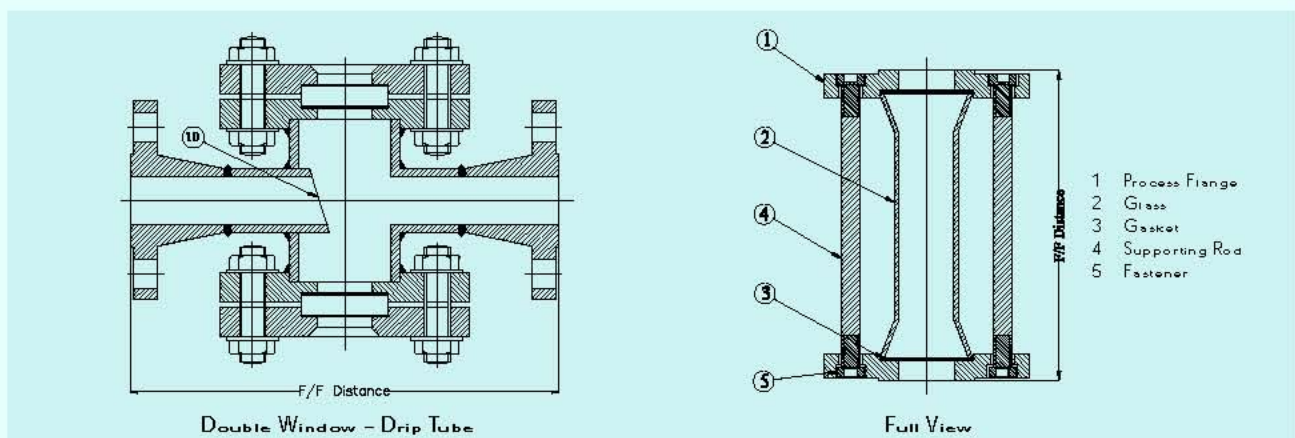
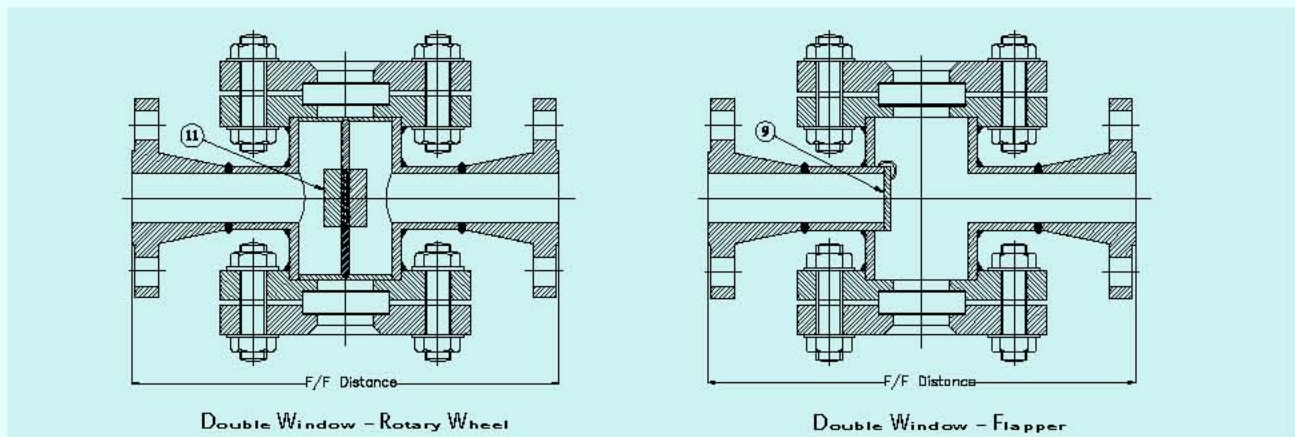
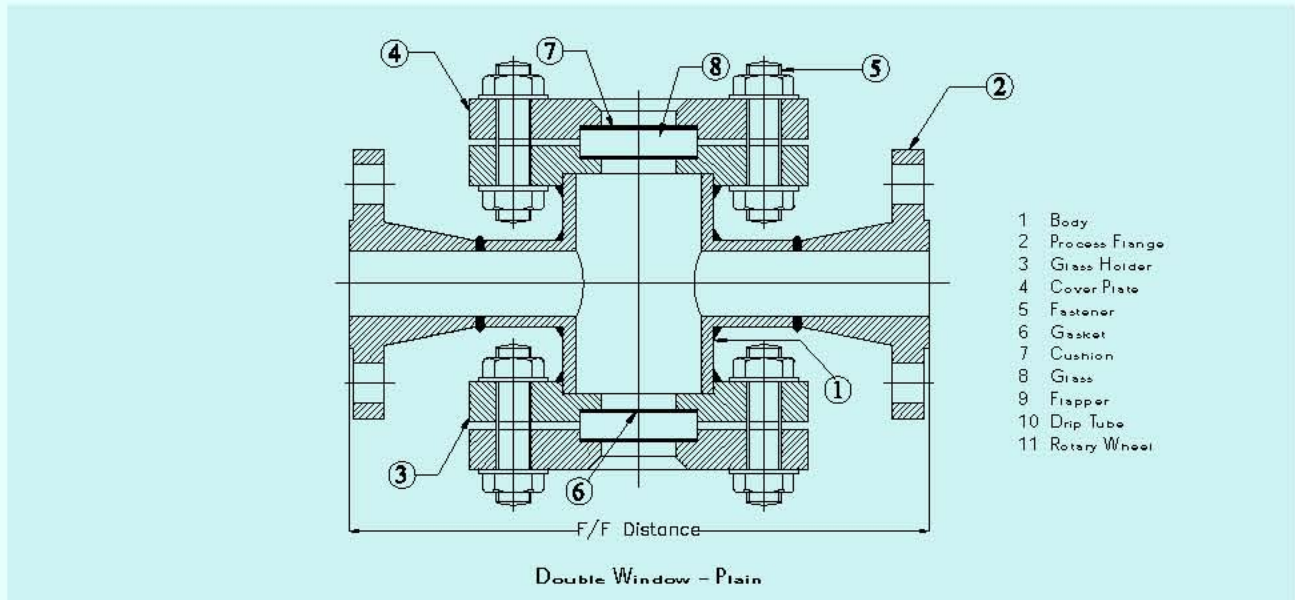
This type of sight flow indicator is suitable for colourless gas flow. Usually recommended for vertically upwards and horizontal flow.

Full View

This type of sight flow indicator is used for viewing the process flow to assure that the flow is continuous or to note the process turbidity, colour etc.

Specifications

Type	: Double Window - Plain / Rotary Wheel / Flapper / Drip Tube / Ball, Full View
Body	: CS, SS 304, SS 304L, SS 316, SS 316L, others on request
Retainer Flange	: CS, SS 304, SS 304L, SS 316, SS 316L, others on request
Cushion / Gasket	: C.A.F. / P.T.F.E. / Graphoil
Glass	: Toughened Borosilicate
Process Connection	: Flanged / Screwed
Fasteners	: SS, ASTM A193 Gr. B7 / A 194 Gr. 2H



Ordering Information

SFI-DWP-80F150-CS4C-CC-Z

SFI - - - - - Z

Type of Sight Flow Indicator	
DWP	Double Window - Plain
DWR	Double Window - Rotary Wheel
DWF	Double Window - Flapper
DWD	Double Window - Drip Tube
DWB	Double Window - Ball
FW	Full View

Process Connection				
Flanged Connection				
Code	Size	Code	Code	Rating
15	1/2"	F	150	150#
20	3/4"			
25	1"			
40	1 1/2"			
50	2"			
65	2 1/2"	600	600#	600#
80	3"			
100	4"			
150	6"			
200	8"			
250	10"			

Gasket	
C	C.A.F.
P	P.T.F.E.
G	Graphoil

Cushion	
C	C.A.F.
P	P.T.F.E.
G	Graphoil

Fasteners	
C	ASTMA 193 Gr. B7 / ASTMA 194 Gr. 2H
S	SS

Body	
C	CS
S4	SS 304
S4L	SS 304L
S6	SS 316
S6L	SS 316L

Cover Plate	
C	CS
S4	SS 304
S4L	SS 304L
S6	SS 316

Ordering Specifications

Customer Name : _____ Phone : _____
 Address : _____ Fax : _____
 _____ Email : _____

Contact Person :

1	Tag No.		
2	Model		
3	Type		
4	Quantity		
5	SERVICE	Fluid	
6		Specific Gravity	
7		Op. Pressure	
8		Op. Temperature	
9		Design Pressure	
10		Design Temperature	
11	CONNECTION	Type	
12		Size	
13		Rating	
14	CONSTRUCTION	Body	
15		Cover Plate	
16		Glass	
17		Cushion	
18		Gasket	
19		Fasteners	

Notes: