

Flame Arrestor

Flame arrestor is a safety device designed to check / control the transmissions of the flame in pipeline or ducts. It prevents flame spreading with the help of internal arrestor element. It quenches and arrests flame by absorbing and dissipating its heat to below its flash point.

A flame arrestor is a device involving no moving parts which comprises of passageways of apertures that allow vapors to flow freely through the arrestor but will not allow flame to pass through. The arrestor simultaneously dispenses and cools an approaching flame to a temperature below the vapor ignition point thus protecting the unprotected side of the device.

It can also be offered in combination with a breather valve mounted at the inlet of the breather valve or integral with the breather valve.

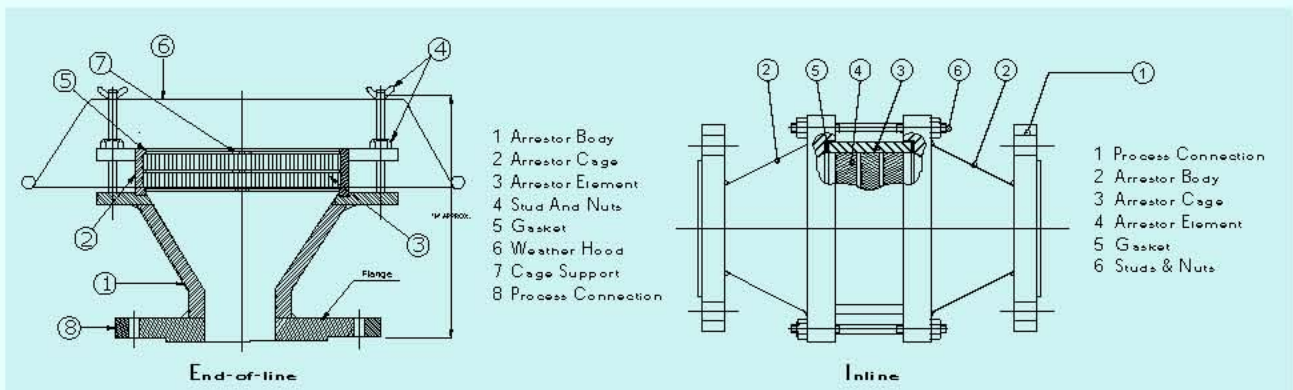
Quality Machining & Metalworks offers following types of flame arrestors:

- Inline
- End of Line



Specifications

Item Description	: Flame Arrestor
Type	: Inline / End of Line
Body	: CS, SS 304, SS 316, others on request
Arrestor Element	: Aluminium, SS 304, SS 304L, SS 316, SS 316L, others on request
Gasket	: C.A.F. / P.T.F.E.
Fasteners	: SS, ASTM A 193 Gr. B7 / A 194 Gr. 2H
Process Connection	: Flanged in various sizes
Bird Screen	: Aluminium / SS
Weather Hood	: Aluminium / SS



Ordering Information

FA-I-80F150-CS4-CC-AL-Z

FA - - - - - Z

Type	
I	Inline Type
E	End of Line

Process Connection				
Flanged Connection				
Code	Size	Code	Code	Rating
15	1/2"	F	150	150#RF
20	3/4"			
25	1"			
40	1 1/2"			
50	2"			
65	2 1/2"			
80	3"	300	300#RF	
100	4"			
150	6"			
200	8"			
250	10"			

MOC of Body	
C	CS
S4	SS 304
S4L	SS 304L
S6	SS 316
S6L	SS 316L

Weather Hood & Bird Screen	
AL	Aluminium
SS	SS
NA	Not Applicable

Fasteners	
C	ASTM A 193 Gr. B7 / ASTM A 194 Gr. 2H
S	SS

Gasket	
C	C.A.F.
P	P.T.F.E.

MOC of Arrestor Element	
AL	Aluminium
S4	SS 304
S4L	SS 304L
S6	SS 316
S6L	SS 316L



Ordering Specifications

Customer Name : _____	Phone : _____
Address : _____	Fax : _____
	Email : _____

1	Tag No.		
2	Model		
3	Type		
4	Quantity		
5	SERVICE	Fluid	
6		Specific Gravity	
7		Op. Pressure	
8		Op. Temperature	
9		Design Pressure	
10		Design Temperature	
11	CONNECTION	Type	
12		Size	
13		Rating	
14	CONSTRUCTION	Body	
15		Arrestor Element	
16		Arrestor Cage	
17		Wetted Parts	
18		Fasteners	
19	Gasket		
20	ACCESSORIES	Weather Hood	
21		Bird Screen	

Notes: