

Level Switch

External Cage Chamber

Quality Machining & Metalworks offers External Cage Type Level Switches for single level set point. This is trouble free, consistent and inexpensive solution to control Level in the tanks / vessels.

GIC offers following Series of External Cage Chamber Type Level Switches:

- Series SMLS/2000
- Series TMLS/2000

Series SMLS/2000

This type of level switch consists of fabricated external cage with inlet-outlet process connections having fixed distance. The switch assembly is mounted horizontally on the external cage as shown in figure. The external cage type level switch is mounted outside the tank / vessel which significantly reduce effect of turbulence. It also provides ease of online maintenance without impeding the process conditions.



Series TMLS/2000

This type of level switch assembly is mounted vertically on the external cage as shown in figure. The external cage type level switch is mounted outside the tank / vessel which significantly reduces effect of turbulence.



Specifications

Type	: External Cage Chamber
Series	: SMLS/2000, TMLS/2000
Float MOC	: SS 304, SS 304L, SS 316, SS 316L, Monel, Titanium, Inconel 600, Hastelloy C, others on request
Float Stem MOC	: SS 304, SS 304L, SS 316, SS 316L, Monel, Titanium, Inconel 600, Hastelloy C, others on request
Flange MOC	: SS 304, SS 304L, SS 316, SS 316L, Monel, Titanium, Inconel 600, Hastelloy C, others on request
Switch Type	: Snap Acting 1 SPDT / 2 SPDT Microswitch, 5A, 230 VAC
Switch Housing	: <ul style="list-style-type: none"> • Die Cast Aluminium Weatherproof to IP – 65 • Die Cast Aluminium Explosion proof suitable for Group IIA, IIB • Die Cast Aluminium Explosion proof suitable for Group IIC
Electrical Connection	: 3/4"ET(F)
External Cage Chamber	: CS, SS 304, SS 304L, SS 316, SS 316L, Monel, Titanium, Inconel, Hastelloy C etc.
Centre to Centre Distance	: 250 mm (Standard)
Process Connection	: Flanged in various sizes
Minimum Specific Gravity	: 0.8, others on request
Maximum Pressure	: Up to 20 Kg/cm ² at ambient temperature, others on request
Maximum Temperature	: Up to 150°C, others on request

Ordering Information

TMLS/2000-50F150-S4S4-PP-1S-W5-Z



Series	
SMLS/2000	Side Mounted
TMLS/2000	Top Mounted

Process Connection				
Code	Size	Code	Code	Rating
15	1/2"	F	150	150#RF
20	3/4"			
25	1"			
40	1 1/2"	300	300#RF	
50	2"			

MOC of Float Assembly	
S4	SS 304
S4L	SS 304L
S6	SS 316
S6L	SS 316L
M	Monel
T	Titanium
I	Inconel 600
H	Hastelloy C

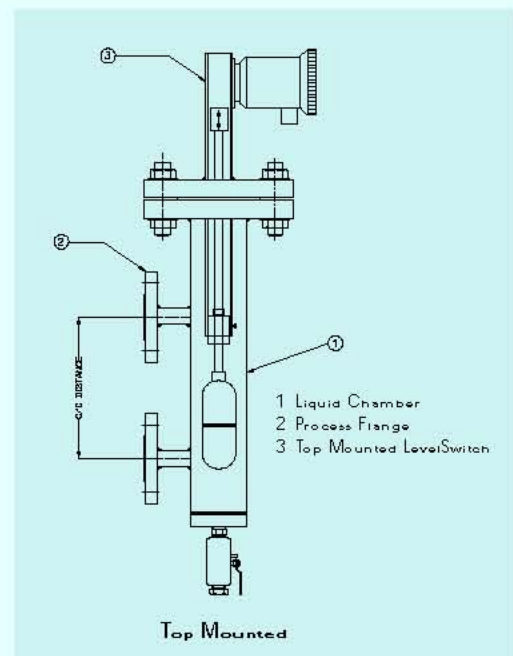
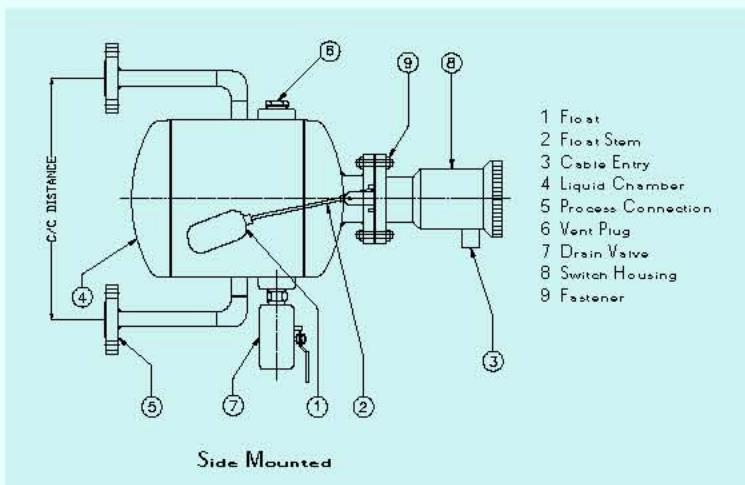
MOC of External Chamber	
C	CS
S4	SS 304
S4L	SS 304L
S6	SS 316
S6L	SS 316L
M	Monel
T	Titanium
I	Inconel 600
H	Hastelloy C

Enclosure	
W5	Die Cast Aluminium Weatherproof to IP – 65
EA	Die Cast Aluminium Explosion proof suitable for Group IIA, IIB
EC	Die Cast Aluminium Explosion proof suitable for Group IIC

MicroSwitch	
1S	1 SPDT
2S	2 SPDT

Drain	
P	1/2" Plugged
N	1/2" Needle Valve
B	1/2" Ball Valve

Vent	
P	1/2" Plugged
N	1/2" Needle Valve
B	1/2" Ball Valve



Ordering Specifications

Customer Name : _____ Phone : _____
 Address : _____ Fax : _____
 _____ Email : _____

Contact Person : _____

1	Tag No.		
2	Model		
3	Quantity		
4	SERVICE	Fluid	
5		Specific Gravity	
6		Viscosity	
7		Op. Pressure	
8		Op. Temperature	
9		Design Pressure	
10	Design Temperature		
11	CONNECTION	Orientation	
12		Size	
13		Type	
14		Centre to Centre Dist.	
15	CONSTRUCTION	Float	
16		External Chamber	
17		Switch Type	
18		Switch Housing	
19		Electrical Connection	
20		Vent	
21		Drain	

Notes: