

Series Q32 Liquid Level Gauges

Series Q32 Liquid Level Gauges are high pressure liquid level gauges with pressure ratings up to 4000 PSI @ 100 F°. Series Q32 liquid level gauges are available in both reflex and transparent application. These gauges are designed with a heavy duty chamber machined out of solid bar stock, complete with sectional gauge covers and gauge glasses. These gauges are assembled with special bolts and nuts that compliment the service level of the gauge. The pressure rating shown in the tables is for the standard non-asbestos or grafoil and carbon steel chamber, as well as the stainless steel series 300 or 300L. The pressure is only 50% for Kel-F shields and pure gaskets. Lower temperature applications are possible with the variation in metallic material. Construction of 316 stainless steel with grafoil gaskets are rated to -326F°



Q19-T-32



Q19-R-32

PRESSURE / TEMPERATURE RATINGS

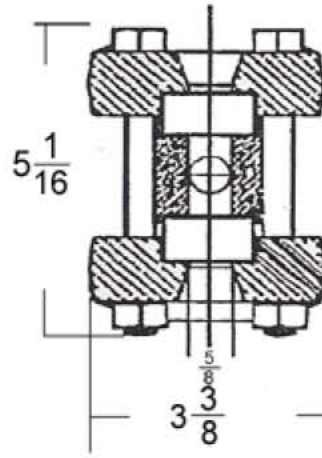
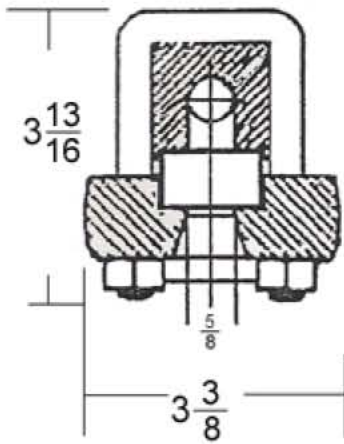
(Flanged gauges take flanged rating when lower)

REFLEX GAGE		
Temperature		Glass Size 1 thru 9
° F	° C	
100	38	4000
200	93	3890
300	149	3790
400	204	3700
500	260	3470
600	316	3080
700	371	2690
800	427	2300
SATURATED STEAM RATING 300 WSP		

TRANSPARENT GAGE		
Temperature		Glass Size 1 thru 9
° F	° C	
100	38	3000
200	93	2920
300	149	2850
400	204	2780
500	260	2600
600	316	2310
700	371	2020
800	427	1730
SATURATED STEAM RATING 750 WSP		

For Temperature above 600°F (316°C) Aluminosilicate Glass MUST be used.

% of Rating	100%	90%	50%	TEST PRESSURE: All gauges are Hydrostatically tested by Quality Prior to shipment @ 1-1/2 times. The design pressure rating at 100°F
CHAMBER MATERIAL	CARBON STEEL, STAINLESS STEEL SERIES 316 OR 316L	MONEL	BRASS	
GASKETING	BONDED COMPRESSED FIBERS OR TEFLON GLASS FILLED		PURE TEFLON NEOFLON CTFE (SHIELDS)	



Series Q32 Gauge Specifications

Lengths

Series Q32 gauges are available in nine standard visible glass lengths. Multiples of the same size windows (up to nine sections) in a single piece bar stock liquid chamber are used for longer lengths.

Connections

Standard Series Q32 Gauges are furnished with 1/2 or 3/4 inch NPT female end connections. Other connections available: 1/2 or 3/4 inch NPT female or male, side or back, flanged ends, side or back to suit mating connections.

Liquid Chambers

Machined from bar stock with recessed gasket seats.

Covers

All covers are manufactured to be interchangeable.

Bolt & Nuts

Alloy steel to ASTM Standards.

Glass

The tempered glass must be protected from corrosive substances such as caustic acid and hydrofluoric acid. Only transparent glass with mica or Kel-f shields must be used in these applications.

Gaskets

Precision die cut from the highest quality materials.

Protection

All carbon steel parts are coated both externally and internally with a high quality rust inhibitor.

This coating serves as a superior bonding base for paint. It is recommended that all Q32 Gauges be installed with Quality Gauge Valves, having safety ball checks, which help provide protection against physical injury and loss of product should glass breakage occur.

Single Selection Reflex Gauges					
Model No.	Visible Glass Inch	Overall Length Inch	Minimum Centres Side Connections 1/2 inch 3/4 inch		Approx Weight Lb.
Q11-R-32	3 3/4	5 1/4	5 1/4	5 5/8	8
Q12-R-32	4 1/4	6 1/4	6 1/4	6 5/8	9
Q13-R-32	5 1/4	7 1/4	7 1/4	7 5/8	11
Q14-R-32	6 1/4	8 1/4	8 1/4	8 5/8	12
Q15-R-32	7 1/8	9 3/8	9 3/8	9 3/4	14
Q16-R-32	9 1/8	10 5/8	10 5/8	11	16
Q17-R-32	10 1/4	11 3/4	11 3/4	12 1/8	18
Q18-R-32	11 7/8	13 3/8	13 3/8	13 3/4	20
Q19-R-32	12 5/8	14 1/8	14 1/8	14 1/4	21

Single Selection Transparent Gauges					
Model No.	Visible Glass Inch	Overall Length Inch	Minimum Centres Side Connections 1/2 inch 3/4 inch		Approx Weight Lb.
Q11-T-32	3 3/4	5 1/4	5 1/4	5 5/8	12
Q12-T-32	4 1/4	6 1/4	6 1/4	6 5/8	14
Q13-T-32	5 1/4	7 1/4	7 1/4	7 5/8	17
Q14-T-32	6 1/4	8 1/4	8 1/4	8 5/8	19
Q15-T-32	7 1/8	9 3/8	9 3/8	9 3/4	21
Q16-T-32	9 1/8	10 5/8	10 5/8	11	24
Q17-T-32	10 1/4	11 3/4	11 3/4	12 1/8	27
Q18-T-32	11 7/8	13 3/8	13 3/8	13 3/4	30
Q19-T-32	12 5/8	14 1/8	14 1/8	14 1/4	32

Two Section Reflex Gauges					
Model No.	Visible Glass Inch	Overall Length Inch	Minimum Centres Side Connections 1/2 inch 3/4 inch		Approx Weight Lb.
Q23-R-32	13	14 1/4	14 1/4	14 7/8	22
Q24-R-32	15	16 1/4	16 1/4	16 7/8	25
Q25-R-32	17 1/4	18 1/4	18 1/4	19 1/8	28
Q26-R-32	19 1/4	21 1/4	21 1/4	21 5/8	32
Q27-R-32	22	23 1/4	23 1/4	23 7/8	35
Q28-R-32	25 1/4	26 3/4	26 3/4	27 1/8	40
Q29-R-32	26 3/4	28 1/4	28 1/4	28 5/8	43

Two Section Transparent Gauges					
Model No.	Visible Glass Inch	Overall Length Inch	Minimum Centres Side Connections 1/2 inch 3/4 inch		Approx Weight Lb.
Q23-T-32	13	14 1/4	14 1/4	14 7/8	33
Q24-T-32	15	16 1/4	16 1/4	16 7/8	38
Q25-T-32	17 1/4	18 1/4	18 1/4	19 1/8	43
Q26-T-32	19 1/4	21 1/4	21 1/4	21 5/8	49
Q27-T-32	22	23 1/4	23 1/4	23 7/8	54
Q28-T-32	25 1/4	26 3/4	26 3/4	27 1/8	61
Q29-T-32	26 3/4	28 1/4	28 1/4	28 5/8	64

Three Section Reflex Gauges					
Model No.	Visible Glass Inch	Overall Length Inch	Minimum Centres Side Connections 1/2 inch 3/4 inch		Approx Weight Lb.
Q36-R-32	30 3/8	31 7/8	31 7/8	32 1/4	48
Q37-R-32	33 3/4	35 1/4	35 1/4	35 5/8	53
Q38-R-32	38 5/8	40 1/8	40 1/8	40 1/2	60
Q39-R-32	40 7/8	42 3/8	42 3/8	42 3/4	64

Three Section Transparent Gauges					
Model No.	Visible Glass Inch	Overall Length Inch	Minimum Centres Side Connections 1/2 inch 3/4 inch		Approx Weight Lb.
Q36-T-32	30 3/8	31 7/8	31 7/8	32 1/4	73
Q37-T-32	33 3/4	35 1/4	35 1/4	35 5/8	80
Q38-T-32	38 5/8	40 1/8	40 1/8	40 1/2	92
Q39-T-32	40 7/8	42 3/8	42 3/8	42 3/4	97

Four Section Reflex Gauges					
Model No.	Visible Glass Inch	Overall Length Inch	Minimum Centres Side Connections 1/2 inch 3/4 inch		Approx Weight Lb.
Q47-R-32	45 1/4	47	47	47 3/8	71
Q48-R-32	52	53 1/4	53 1/4	53 7/8	80
Q49-R-32	55	56 1/4	56 1/4	56 7/8	85

Four Section Transparent Gauges					
Model No.	Visible Glass Inch	Overall Length Inch	Minimum Centres Side Connections 1/2 inch 3/4 inch		Approx Weight Lb.
Q47-T-32	45 1/4	47	47	47 3/8	107
Q48-T-32	52	53 1/4	53 1/4	53 7/8	122
Q49-T-32	55	56 1/4	56 1/4	56 7/8	129

Five Section Reflex Gauges					
Model No.	Visible Glass Inch	Overall Length Inch	Minimum Centres Side Connections 1/2 inch 3/4 inch		Approx Weight Lb.
Q57-R-32	57 1/4	58 3/4	58 3/4	59 1/8	88
Q58-R-32	65 3/8	66 7/8	66 7/8	67 1/4	100
Q59-R-32	69 1/8	70 5/8	70 5/8	71	106

Five Section Transparent Gauges					
Model No.	Visible Glass Inch	Overall Length Inch	Minimum Centres Side Connections 1/2 inch 3/4 inch		Approx Weight Lb.
Q57-T-32	57 1/4	58 3/4	58 3/4	59 1/8	134
Q58-T-32	65 3/8	66 7/8	66 7/8	67 1/4	152
Q59-T-32	69 1/8	70 5/8	70 5/8	71	161